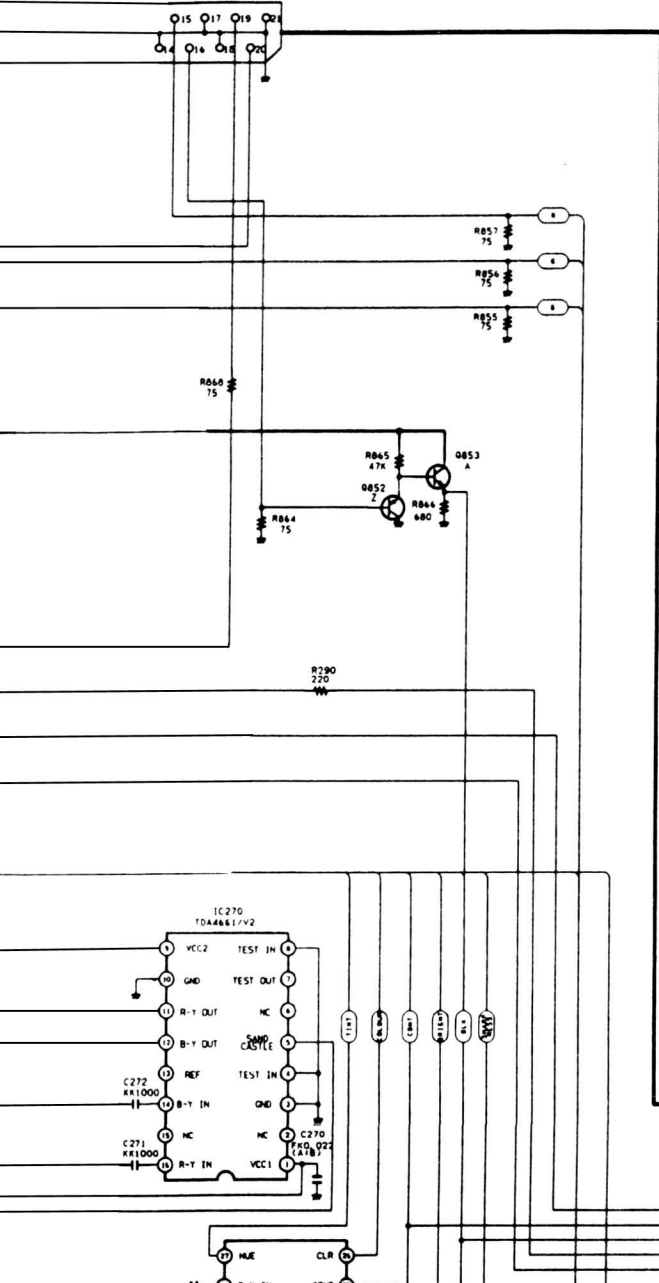


Q122		Q124	
VOLT.		VOLT.	
B 3.1V	B 2.3V		
C 33.1V	C 0.007V		
E 2.4V	E 3.0V		

Q113		Q111	
VOLT.		VOLT.	
B 4.6V	B 3.1V		
C 7.8V	C 7.8V		
E 3.3V	E 2.4V		

Q172		Q171	
VOLT.		VOLT.	
B 0.6V	B 11.3V		
C 0.01V	C 11.8V		
E -0.001V	E 10.6V		

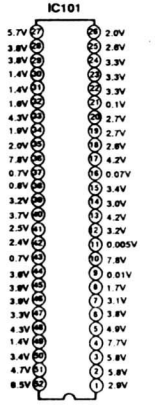
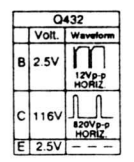
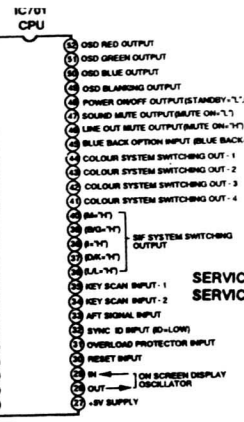
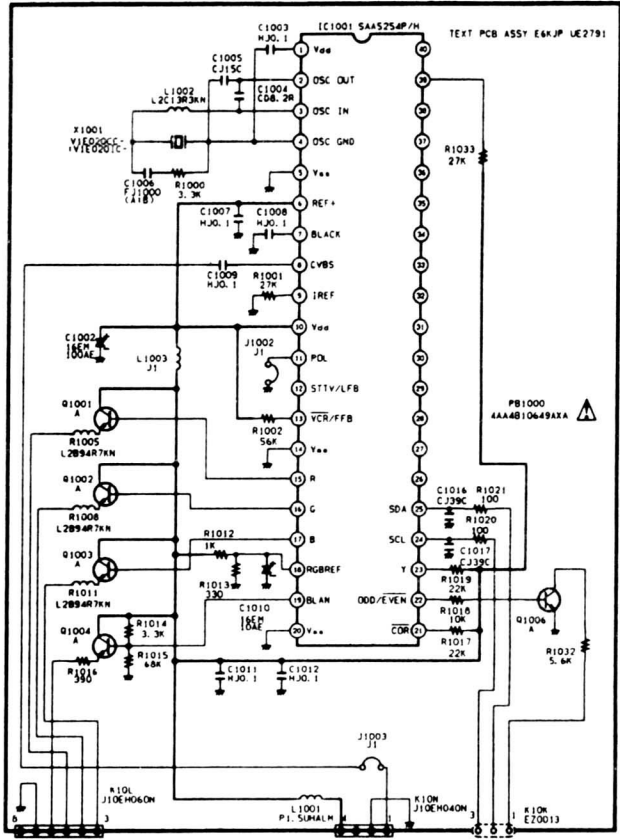


NOTES:
LIST OF REPLACEABLE PARTS.

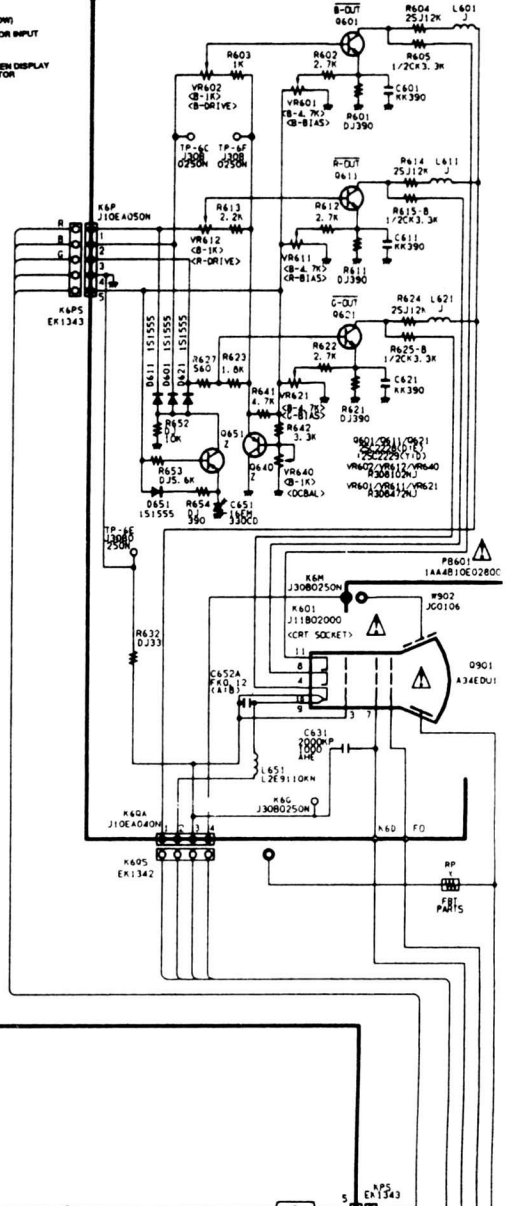
DIODE	
SANYO CODE	D100E
R 70000018	1S1555, 1S2473, 1S2076, 05442, 1M4148

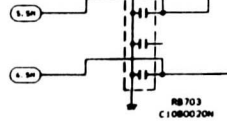
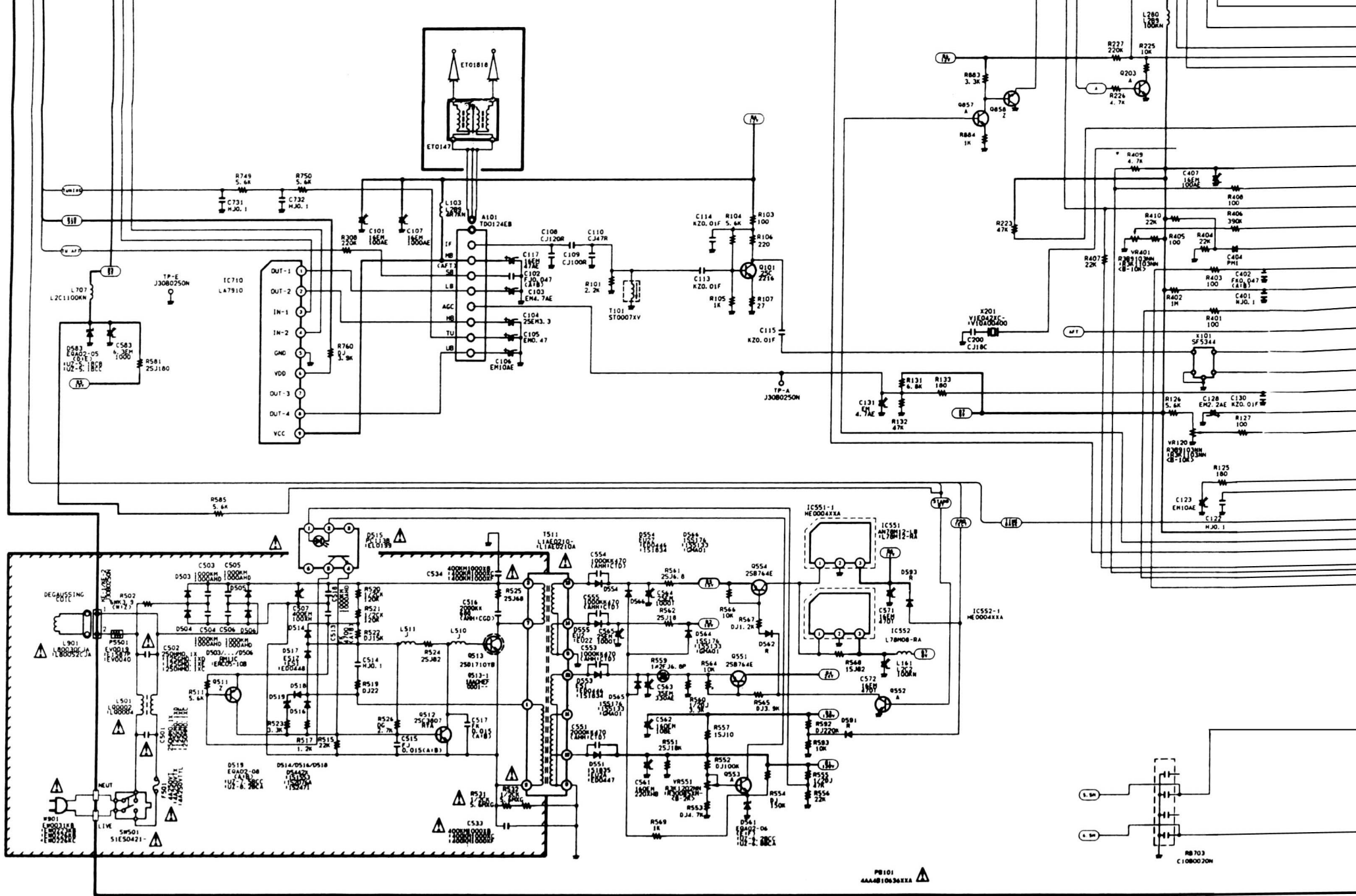
INPL. TR					
SANYO CODE	Z5C53n	Z5C945A	Z5C1815	Z5C1740	Z5C1740S
A 70700214	E, F, G	P, Q, R	D, T, G	G, R, S	G, R, S

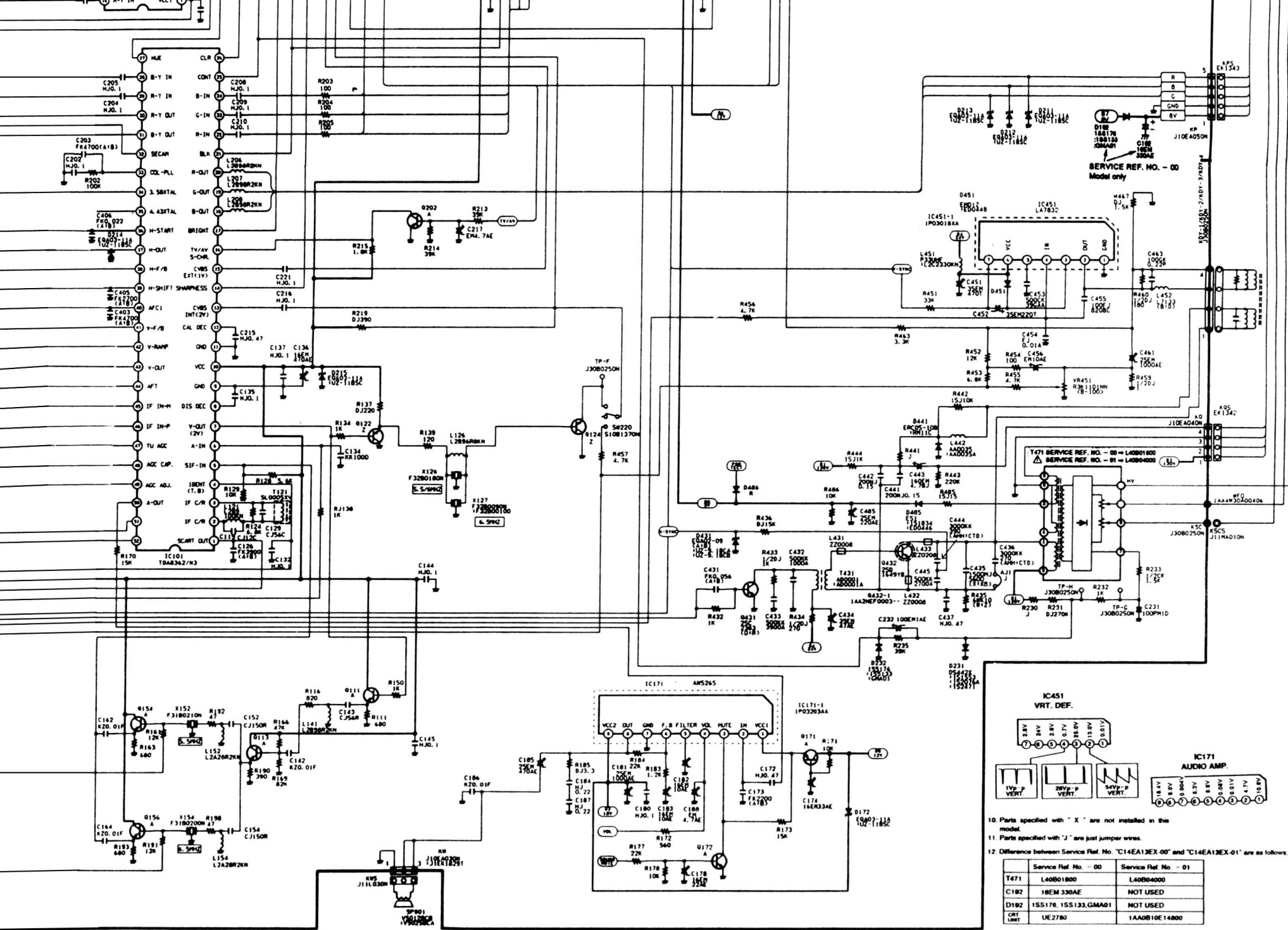
PNP. TR					
SANYO CODE	Z5A608	Z5A564A	Z5A1015	Z5A933	Z5A933S
Z 70700418	E, F	Q, R	D, T, G	G, R	G, R



SERVICE REF. NO. - 00 => CRT PCB ASSY E6KZP UE2781
SERVICE REF. NO. - 01 => ASSY, PWB, CRT E6PKH 1AA0B10E14800

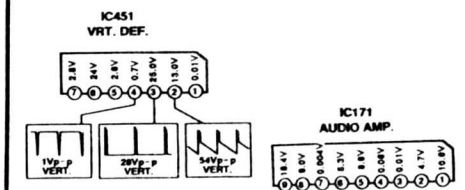






SERVICE REF. NO. - 00
Model only

T471 SERVICE REF. NO. - 00 → L40B01800
SERVICE REF. NO. - 01 → L40B04000



- 10 Parts specified with "X" are not installed in the model.
- 11 Parts specified with "J" are just jumper wires.

12 Difference between Service Ref. No. "C14EA13EX-00" and "C14EA13EX-01" are as follows.

Service Ref. No. - 00	Service Ref. No. - 01
T471 L40B01800	L40B04000
C182 18EM330AE	NOT USED
D182 1SS176, 1SS133, GMA01	NOT USED
CRT LMT UE2780	1AA0B10E14800